

SERVICE MANUAL

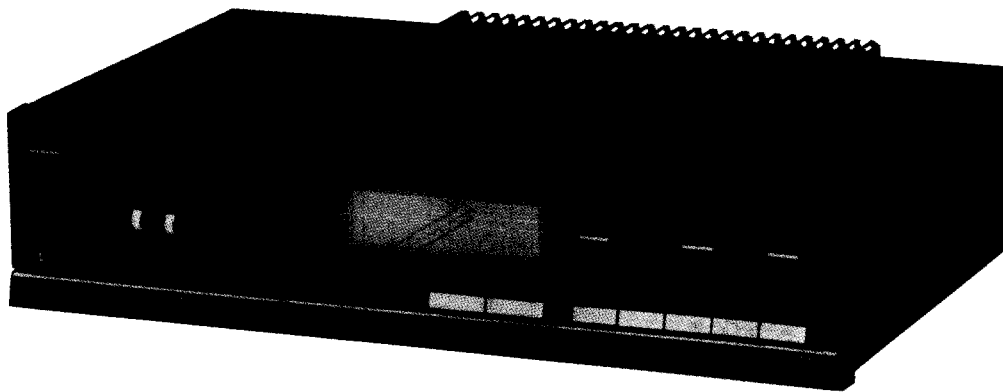


FISHER

INTEGRATED STEREO AMPLIFIER

CA-873

(EUROPE)



132 299 43

SPECIFICATIONS

POWER AMPLIFIER SECTION

Minimum RMS sine wave power per channel
within stated bandwidth at no more than stated
distortion and with 8-ohm load 110 Watts
Power Bandwidth 20 Hz – 20 kHz
Total Harmonic Distortion 0.09 %
I.M. Distortion 0.09 %
Speaker Damping > 20

PREAMPLIFIER SECTION

Frequency Response
Phono (RIAA) ± 1 dB
Aux (20 Hz – 20 kHz) ± 1 dB
Input Sensitivity and Impedance
Phono 2.5 mV/50 k Ω
Tape Monitor 1,2 150 mV/50 k Ω
Tuner/Video/CD 150 mV/50 k Ω

Phono Max. Input Capability 150 mV
Tone Controls
Bass(100Hz) ± 10 dB
Treble(10KHz) ± 10 dB
Loudness Contour (100 Hz/10 kHz) +8 dB/+4 dB
Hum & Noise (IHF Short Circuit, A Network)
Phono 65 dB
Tape Monitor 1,2 85 dB
Tuner/Video/CD 85 dB

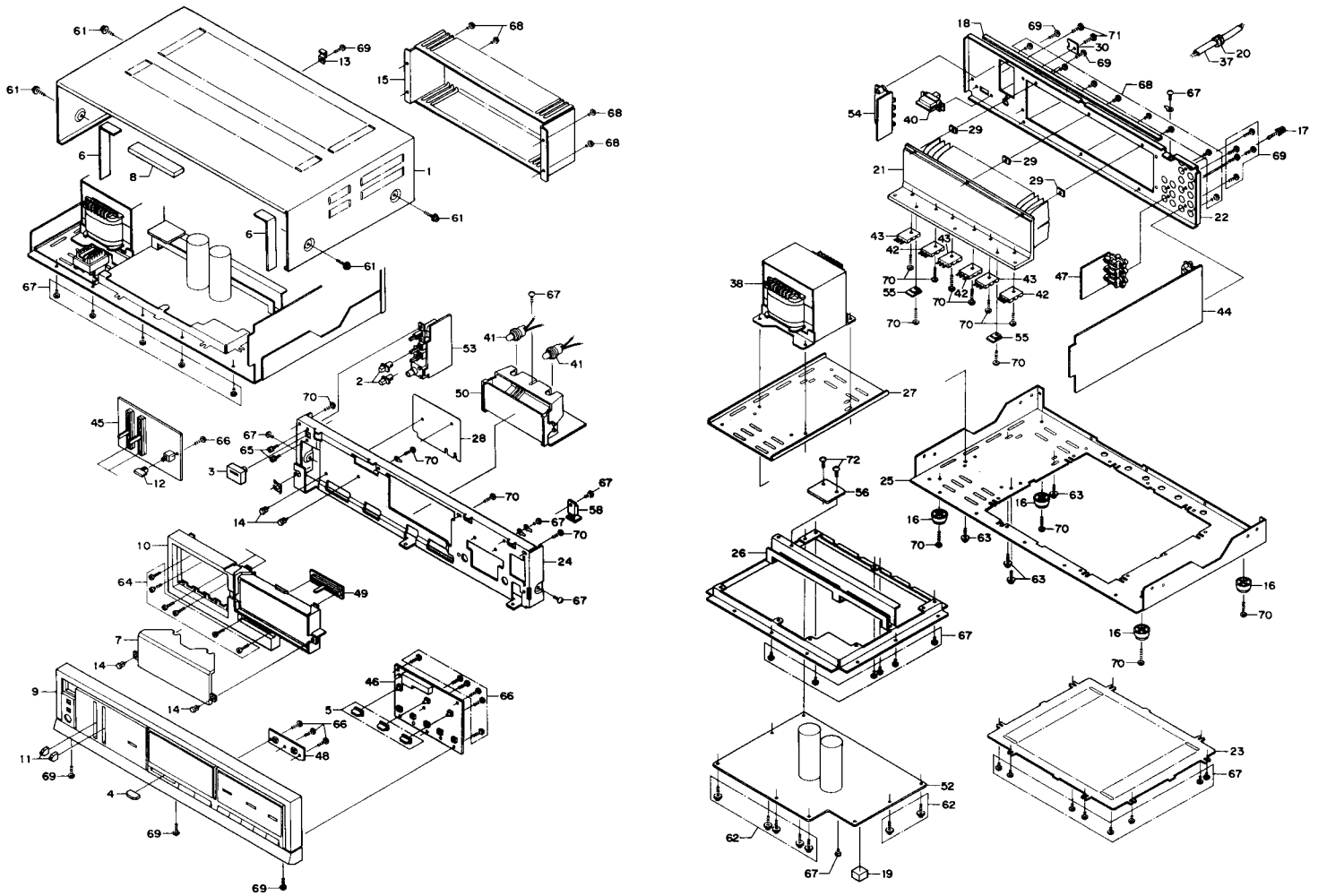
GENERAL

Power Requirements (50 Hz) AC 110/220 V
Power Consumption 510 Watts
Dimensions (W x H x D) 440 x 108 x 315 mm
Weight (approx.) 8.7 kg

– Specifications and design are subject to change without notice. –

REFERENCE No. WM-19678

CABINET & CHASSIS EXPLODED VIEW



POWER AMPLIFIER ADJUSTMENT

BEFORE ADJUSTMENT

Unplug the AC power cord and set the front panel controls as follows:

- Power switch to OFF position.
- Set the SPEAKERS switch to the OFF position.
- Set the volume level to minimum level by Pressing the VOLUME DOWN button.
- IDLING CURRENT ADJUSTMENT VR501/VR502 (on the Main Amplifier P.C.Board) setting to mechanical center position.
- Connect the AC power cord and Power Switch to the ON position.

IDLING CURRENT ADJUSTMENT

This adjustment is very sensitive to changes in ambient temperature. Allow set to operate for 2 minutes before attempting this alignment.

LEFT AMPLIFIER

- 1) Connect the DC Voltmeter between Pins 19 and 21 on the Main Amplifier P.C.Board.
- 2) Adjust the VR501 for an indication of 9mV (7mV ~ 15mV) on the DC Voltmeter.

RIGHT AMPLIFIER

- 1) Connect the DC Voltmeter between Pins 20 and 22 on the Main Amplifier P.C.Board.
- 2) Adjust the VR502 for an indication of 9mV (7mV ~ 15mV) on the DC Voltmeter.

CABINET & CHASSIS PARTS LIST

PRODUCT SAFETY NOTICE

Each precaution in this manual should be followed during servicing. Components identified with the IEC symbol \triangle in the parts list and the schematic diagram designate components in which safety can be of special significance. When replacing a component identified with \triangle , use only the replacement parts designated, or parts with the same ratings of resistance, wattage or voltage that are designated in the parts list in this manual.

Leakage-current or resistance measurements must be made to determine that exposed parts are acceptably insulated from the supply circuit before returning the product to the customer.

Ref. No.	Part No.	Description	Q'ty	Ref. No.	Part No.	Description	Q'ty
PACKAGE				22	141-2-1219-40908	Panel Rear	1
	3-9415-10300	Bag Polyethylene	1	23	141-2-1259-11200	Bottom Cover	1
	131-6-3009-36090	Pad	1	24	141-2-2149-31200	Panel Front	1
	131-6-3009-36420	Pad	1	25	141-2-3119-31600	Chassis	1
	131-6-3009-36700	Pad	2	26	141-2-3129-06600	Sub Chassis	1
	131-6-3009-16350	Patching Sheet	1	27	141-2-3159-05800	Metal Reinforce	1
	131-6-4559-11200	Serial No. Sheet	2	28	141-2-3229-62900	Plate Shield	1
	141-6-1189-28502	Box Corrugate-Exp.	1	29	141-2-4359-41200	Plate Sever	3
	141-6-1469-11700	Pad (Front)	1	30	131-2-7104-00500	Plate Pad Switch	1
	141-6-1469-11800	Pad (Rear)	1				
	141-6-2519-22290	Sheet Polyethylene	1	37	\triangle 4-2432-00400	Power Cord	1
ACCESSORIES				38	\triangle 4-2512-25021	Power Trans	1
	131-6-2719-10401	Bag Fan	1	40	\triangle 4-2312-01020	Switch Slide (AC SELECTOR) [S901]	1
	142-6-4119-33420	Explanatory Booklet	1	41	4-6129-70724	Lamp	2
CABINET & CHASSIS				42	405 017 7804	TR 2SC3281-O [Q515, Q516, Q546]	3
	4-2379-21520	Terminal Lug	2	or	405 060 2504	TR 2SD1975-P [Q515, Q516]	2
	141-2-4729-07100	Wire Band	10	43	405 003 4008	TR 2SA1302-O [Q517, Q518, Q545]	3
	131-6-4559-11200	Serial No. Sheet	1	or	405 031 9006	TR 2SB1163-P [Q517, Q518]	2
1	131-2-1410-35400	Cover	1	44	141-0-1939-23331	Input P.C.B. Assy	1
2	131-2-1601-69601	Knob (Speaker Selector)	2	45	141-0-1939-23340	Tone P.C.B. Assy	1
3	131-2-1601-93303	Knob (Power Switch)	1	46	141-0-1939-23351	Control P.C.B. Assy	1
4	131-2-1601-93400	Knob (Balance)	1	47	141-0-1939-23360	Pin Jack P.C.B. Assy	1
5	131-2-1601-99800	Knob Tact	3	48	141-0-1939-23370	Volume SW. P.C.B. Assy	1
6	131-2-3202-13400	Metal Reinforce	2	49	141-0-1939-23380	Balance Volume P.C.B. Assy	1
7	131-2-3608-16413	Filter	1	50	141-0-1939-23390	LCD P.C.B. Assy	1
8	131-2-5205-33300	Cushion	1	52	141-0-1939-23411	Main AMP P.C.B. Assy	1
9	141-0-1129-29306	Cabinet Front Assy	1	53	141-0-1939-23421	Power SW. P.C.B. Assy	1
	141-2-1129-56903	Cabinet Front	1	54	141-0-1939-23430	Speaker Terminal P.C.B. Assy	1
	141-2-1449-79901	Plate Front	1	55	141-0-1939-20450	Bias P.C.B. Assy	2
	141-2-1319-52300	Window	1	56	141-0-1939-23290	Lamp P.C.B. Assy	1
	131-2-3608-16600	Filter	1	58	141-0-1939-23560	Transistor (+B) P.C.B. Assy	1
	141-2-1449-65013	Plate Decorate	1	61	141-2-4219-38400	Screw, Bind Hd. Tapping-B, +M4.0X8 Sems	4
	131-2-1601-99700	Knob (Volume)	1	62	131-2-4201-25201	Screw, Brazier Hd. Tapping-B, +M3.0X8	7
	131-2-1601-91800	Knob (Function)	1	63	141-2-4219-43300	Screw, Bind Hd. Tapping-C, +M4.0X10	4
	4-2359-78079	Connector 1P Assy	1	64	411 002 4901	SCR PAN 2X4	6
	411 020 5508	SCR S-TPG BRZ 2.6X6	1	65	411 003 8908	SCR PAN+SW 3X6	2
	131-2-6113-52400	Shelter	1	66	411 020 5706	SCR S-TPG BRZ 2.6X8	10
	4-2352-02721	Connector 1P Assy	1	67	411 020 7700	SCR S-TPG BRZ 3X6	26
10	141-0-3519-26700	Mount P.C.B. Assy	1	68	411 099 9704	SCR S-TPG BRZ 3X6	12
	141-2-3519-84700	Mount P.C.B.	1	69	411 099 9803	SCR S-TPG BRZ 3X8	11
	141-2-1449-65110	Screen LCD	1	70	411 020 5904	SCR S-TPG BRZ 3X10	16
	141-2-3229-62500	Plate Shield	1	71	411 002 9104	SCR PAN 3X8	2
	4-2359-79034	Connector 1P Assy	1	72	411 020 8004	SCR S-TPG BRZ 3X8	2
11	141-2-1659-35900	Knob Slide (Tone)	2	C901	403 074 2701	CERAMIC 0.047U Z 50V	1
12	141-2-1659-77800	Knob Push (Tape-2 Monitor)	1	C902	403 074 2701	CERAMIC 0.047U Z 50V	1
13	141-2-3159-03300	Bracket Cover	1	NOTES:			
14	131-2-4221-00600	Rivet	4	1. Parts order must contain Model Number, Part Number and Description.			
15	131-2-1410-34839	Cover Heat Sink	1	2. Ordering quantity of screws and resistors must be multiple of 10 pcs.			
16	131-2-1801-14100	Leg	4				
17	131-2-4201-17800	Screw Ground	1				
18	131-2-5205-15800	Cushion	1				
19	131-2-5205-35900	Cushion	1				
20	131-2-6111-14200	Bushing (4N-4)	1				
21	131-2-6201-38500	Heat Sink	1				

P.C.BOARD PARTS LIST

Ref. No.	Part No.	Description	Q'ty	Ref. No.	Part No.	Description	Q'ty
INPUT P.C.B. ASSY				R106	401 024 7707	CARBON 100K JA 1/6W	1
44	141 -0-1939-23331	Input P.C.B. Assy	1	R107	401 026 2700	CARBON 300 JA 1/6W	1
	4-2352-01700	Pin Jack 4P (PHONO, TUNER)	1	R108	401 026 2700	CARBON 300 JA 1/6W	1
	4-2352-01700	Pin Jack 4P (CD, VIDEO)	1	R109	401 025 8703	CARBON 220K JA 1/6W	1
	4-2352-01700	Pin Jack 4P (TAPE-1)	1	R110	401 025 8703	CARBON 220K JA 1/6W	1
	4-2259-71080	Crystal 4.194304MHZ	1	R111	401 025 1902	CARBON 15K JA 1/6W	1
	4-2359-79429	Connector 1P Assy	1	R112	401 025 1902	CARBON 15K JA 1/6W	1
CN101	4-2362-00900	Plug 8P	1	R113	401 024 7707	CARBON 100K JA 1/6W	1
CN102	4-2352-02650	Socket Jumper 4P	1	R114	401 024 7707	CARBON 100K JA 1/6W	1
CN103	4-2369-73140	Plug 4P	1	R115	401 024 7004	CARBON 1K JA 1/6W	1
CN104	4-2369-73980	Plug 4P	1	R116	401 024 7004	CARBON 1K JA 1/6W	1
CN105	4-2369-76410	Plug 4P	1	R117	401 024 7004	CARBON 1K JA 1/6W	1
CN106	4-2369-73160	Plug 6P	1	R118	401 024 7004	CARBON 1K JA 1/6W	1
CN502	4-2359-79240	Connector 8P Assy	1	R119	401 027 6103	CARBON 680K JA 1/6W	1
D101	407 005 3805	DIODE DS442-BT	1	R120	401 027 6103	CARBON 680K JA 1/6W	1
D102	407 004 9105	DIODE DSF10C-BT	1	R121	401 024 7004	CARBON 1K JA 1/6W	1
or	407 060 9606	DIODE 11E2	1	R122	401 024 7004	CARBON 1K JA 1/6W	1
D103	407 008 7206	DIODE MA700	1	R123	401 027 6103	CARBON 680K JA 1/6W	1
D104	407 005 3805	DIODE DS442-BT	1	R124	401 027 6103	CARBON 680K JA 1/6W	1
IC101	409 070 4800	IC NJM2068DD	1	R125	401 024 7004	CARBON 1K JA 1/6W	1
IC102	409 072 0909	IC TC9163N	1	R126	401 024 7004	CARBON 1K JA 1/6W	1
IC103	410 014 9904	IC TMP47C460AN-2	1	R127	401 026 4902	CARBON 330K JA 1/6W	1
Q101	405 004 4502	TR 2SA608-F-NP	1	R128	401 026 4902	CARBON 330K JA 1/6W	1
Q102	405 019 2708	TR 2SC536-F-NP	1	R129	401 024 7004	CARBON 1K JA 1/6W	1
Q103	405 004 4502	TR 2SA608-F-NP	1	R130	401 024 7004	CARBON 1K JA 1/6W	1
Q104	405 019 2708	TR 2SC536-F-NP	1	R131	401 025 8703	CARBON 220K JA 1/6W	1
C101	403 023 5807	CERAMIC 330P K 50V	1	R132	401 025 8703	CARBON 220K JA 1/6W	1
C102	403 023 5807	CERAMIC 330P K 50V	1	R133	401 024 7004	CARBON 1K JA 1/6W	1
C103	403 023 5807	CERAMIC 330P K 50V	1	R134	401 024 7004	CARBON 1K JA 1/6W	1
C104	403 023 5807	CERAMIC 330P K 50V	1	R135	401 027 9005	CARBON 82K JA 1/6W	1
C105	403 047 1502	ELECT 4.7U M 25V	1	R136	401 027 9005	CARBON 82K JA 1/6W	1
C106	403 047 1502	ELECT 4.7U M 25V	1	R137	401 016 2604	CARBON 220 JA 1/4W	1
C107	403 018 8509	CERAMIC 220P K 50V	1	R138	401 016 2604	CARBON 220 JA 1/4W	1
C108	403 018 8509	CERAMIC 220P K 50V	1	R141	401 020 0801	CARBON 470 JA 1/4W	1
C109	403 039 2906	ELECT 47U M 6.3V	1	R142	401 026 4308	CARBON 3.3K JA 1/6W	1
C110	403 039 2906	ELECT 47U M 6.3V	1	R143	401 025 7805	CARBON 2.2K JA 1/6W	1
C111	403 059 0401	POLYESTER 0.018U K 50V	1	R144	401 025 0608	CARBON 1.3K JA 1/6W	1
C112	403 059 0401	POLYESTER 0.018U K 50V	1	R145	401 024 7400	CARBON 10K JA 1/6W	1
C113	403 061 8709	POLYESTER 4700P K 50V	1	R146	401 024 6700	CARBON 100 JA 1/6W	1
C114	403 061 8709	POLYESTER 4700P K 50V	1	R147	401 024 7707	CARBON 100K JA 1/6W	1
C115	403 047 1502	ELECT 4.7U M 25V	1	R148	401 024 7400	CARBON 10K JA 1/6W	1
C116	403 047 1502	ELECT 4.7U M 25V	1	R149	401 024 7400	CARBON 10K JA 1/6W	1
C119	403 045 0507	ELECT 100U M 25V	1	R150	401 024 7400	CARBON 10K JA 1/6W	1
C120	403 045 0507	ELECT 100U M 25V	1	R151	401 024 7400	CARBON 10K JA 1/6W	1
C141	403 074 2701	CERAMIC 0.047U Z 50V	1	R152	401 024 7400	CARBON 10K JA 1/6W	1
C143	403 042 0302	ELECT 10U M 16V	1	R153	401 024 7400	CARBON 10K JA 1/6W	1
C144	403 069 8404	CERAMIC 0.01U Z 50V	1	R154	401 024 7400	CARBON 10K JA 1/6W	1
C145	403 043 3104	ELECT 2200U M 16V	1	R155	401 024 7400	CARBON 10K JA 1/6W	1
C146	403 048 7602	ELECT 0.47U M 50V	1	R156	401 024 7400	CARBON 10K JA 1/6W	1
C147	403 049 1609	ELECT 1U M 50V	1	R157	401 024 7400	CARBON 10K JA 1/6W	1
C148	403 018 4204	CERAMIC 22P K 50V	1	R158	401 024 7400	CARBON 10K JA 1/6W	1
C149	403 018 4204	CERAMIC 22P K 50V	1	R159	401 024 7400	CARBON 10K JA 1/6W	1
C150	403 057 0908	POLYESTER 0.01U K 50V	1	R160	401 024 7400	CARBON 10K JA 1/6W	1
C151	403 073 6502	CERAMIC 470P K 50V	1	R161	401 024 7400	CARBON 10K JA 1/6W	1
C152	403 073 6502	CERAMIC 470P K 50V	1	R162	401 024 7400	CARBON 10K JA 1/6W	1
C153	403 073 6502	CERAMIC 470P K 50V	1	R163	401 024 7400	CARBON 10K JA 1/6W	1
C154	403 073 6502	CERAMIC 470P K 50V	1	R164	401 014 4105	CARBON 1.5K JA 1/4W	1
C160	403 074 2701	CERAMIC 0.047U Z 50V	1	R165	401 024 7400	CARBON 10K JA 1/6W	1
C161	403 074 2701	CERAMIC 0.047U Z 50V	1	R166	401 024 7400	CARBON 10K JA 1/6W	1
C162	403 074 2701	CERAMIC 0.047U Z 50V	1	R167	401 024 7400	CARBON 10K JA 1/6W	1
C163	403 018 8509	CERAMIC 220P K 50V	1	R168	401 024 7400	CARBON 10K JA 1/6W	1
R101	401 024 7004	CARBON 1K JA 1/6W	1	R169	401 024 7400	CARBON 10K JA 1/6W	1
R102	401 024 7004	CARBON 1K JA 1/6W	1	R172	401 012 7009	CARBON 10K JA 1/4W	1
R103	401 024 7707	CARBON 100K JA 1/6W	1	R173	401 024 7400	CARBON 10K JA 1/6W	1
R104	401 024 7707	CARBON 100K JA 1/6W	1	R174	401 024 7400	CARBON 10K JA 1/6W	1
R105	401 024 7707	CARBON 100K JA 1/6W	1	R175	401 024 7400	CARBON 10K JA 1/6W	1

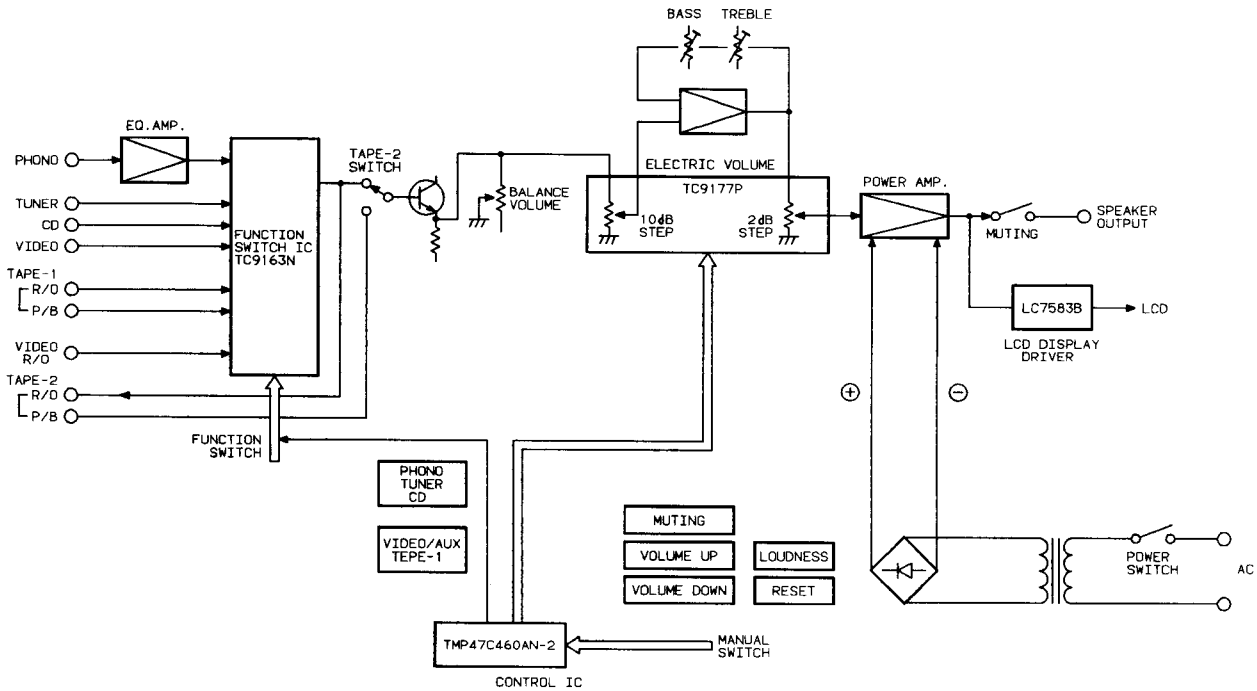
P.C.BOARD PARTS LIST(Continued)

Ref. No.	Part No.	Description	Q'ty	Ref. No.	Part No.	Description	Q'ty
C503	403 047 1502	ELECT 4.7U M 25V	1	R509	401 025 7805	CARBON 2.2K JA 1/6W	1
C504	403 047 1502	ELECT 4.7U M 25V	1	R510	401 025 7805	CARBON 2.2K JA 1/6W	1
C505	403 023 5807	CERAMIC 330P K 50V	1	R511	401 027 8602	CARBON 8.2K JA 1/6W	1
C506	403 023 5807	CERAMIC 330P K 50V	1	R512	401 027 8602	CARBON 8.2K JA 1/6W	1
C507	403 023 5807	CERAMIC 330P K 50V	1	R513	401 027 2105	CARBON 56 JA 1/6W	1
C508	403 023 5807	CERAMIC 330P K 50V	1	R514	401 027 2105	CARBON 56 JA 1/6W	1
C509	403 039 2906	ELECT 47U M 6.3V	1	R515	401 026 7408	CARBON 39K JA 1/6W	1
C510	403 039 2906	ELECT 47U M 6.3V	1	R516	401 026 7408	CARBON 39K JA 1/6W	1
C511	4-2239-71190	Capacitor 27PF 500V	1	R517	401 027 8602	CARBON 8.2K JA 1/6W	1
C512	4-2239-71190	Capacitor 27PF 500V	1	R518	401 027 8602	CARBON 8.2K JA 1/6W	1
C513	4-2239-72020	Ceram 3 PF 500V	1	R519	401 027 2105	CARBON 56 JA 1/6W	1
C514	4-2239-72020	Ceram 3 PF 500V	1	R520	401 027 2105	CARBON 56 JA 1/6W	1
C515	403 067 5603	MT-COMPO 0.1U J 50V	1	R521	401 026 4605	CARBON 33K JA 1/6W	1
C516	403 067 5603	MT-COMPO 0.1U J 50V	1	R522	401 026 4605	CARBON 33K JA 1/6W	1
C517	4-2239-71120	Capacitor 18PF 500V	1	R523	402 015 5603	FUSIBLE RES 82 J- 1/4W	1
C518	4-2239-71120	Capacitor 18PF 500V	1	R524	402 015 5603	FUSIBLE RES 82 J- 1/4W	1
C519	403 054 9706	ELECT 47U M 100V	1	R525	402 015 9700	FUSIBLE RES 82 J- 1/4W	1
C520	403 054 9706	ELECT 47U M 100V	1	R526	402 015 5603	FUSIBLE RES 82 J- 1/4W	1
C521	403 054 9706	ELECT 47U M 100V	1	R527	402 015 3005	FUSIBLE RES 10 J- 1/4W	1
C522	403 054 9706	ELECT 47U M 100V	1	R528	402 015 3005	FUSIBLE RES 10 J- 1/4W	1
C523	403 049 1609	ELECT 1U M 50V	1	R529	402 015 3005	FUSIBLE RES 10 J- 1/4W	1
C524	403 049 1609	ELECT 1U M 50V	1	R530	402 015 3005	FUSIBLE RES 10 J- 1/4W	1
C527	4-2239-72120	Ceram 220PF 500V K	1	R531	402 015 9205	FUSIBLE RES 47 J- 1/4W	1
C528	4-2239-72120	Ceram 220PF 500V K	1	R532	402 015 9205	FUSIBLE RES 47 J- 1/4W	1
C529	4-2239-72120	Ceram 220PF 500V K	1	R533	402 015 4705	FUSIBLE RES 47 J- 1/4W	1
C530	4-2239-72120	Ceram 220PF 500V K	1	R534	402 015 9205	FUSIBLE RES 47 J- 1/4W	1
C531	403 061 4404	POLYESTER 0.039U K 50V	1	R535	402 015 8406	FUSIBLE RES 2.2 J- 1/4W	1
C532	403 061 4404	POLYESTER 0.039U K 50V	1	R536	402 015 3708	FUSIBLE RES 2.2 J- 1/4W	1
C533	403 085 3407	NP-ELECT 47U M 10V	1	R537	402 015 8406	FUSIBLE RES 2.2 J- 1/4W	1
C534	403 044 8207	ELECT 10U M 25V	1	R538	402 015 8406	FUSIBLE RES 2.2 J- 1/4W	1
C538	403 039 4504	ELECT 470U M 6.3V	1	R539	401 027 5908	CARBON 68K JA 1/6W	1
C540	404 012 6904	CERAMIC 0.047U Z 150V	1	R540	401 027 5908	CARBON 68K JA 1/6W	1
C541	403 044 8207	ELECT 10U M 25V	1	R541	402 016 5107	FUSIBLE RES 330 J- 1/2W	1
C542	403 044 8207	ELECT 10U M 25V	1	R542	402 016 5107	FUSIBLE RES 330 J- 1/2W	1
C543	403 044 8207	ELECT 10U M 25V	1	R543	4-2219-70370	Cement 0.22X2 5W	1
C544	403 044 8207	ELECT 10U M 25V	1	R544	4-2219-70370	Cement 0.22X2 5W	1
C545	403 045 0507	ELECT 100U M 25V	1	R545	401 019 6203	CARBON 4.7 JA 1/4W	1
C546	403 045 0507	ELECT 100U M 25V	1	R546	401 019 6203	CARBON 4.7 JA 1/4W	1
C547	404 012 5709	ELECT 4700U M 40V	1	R547	401 058 1207	OXIDE-MT 10 JB 1W	1
C548	404 012 5709	ELECT 4700U M 40V	1	R548	401 058 1207	OXIDE-MT 10 JB 1W	1
C549	404 012 6904	CERAMIC 0.047U Z 150V	1	R549	401 027 3003	CARBON 56K JA 1/6W	1
C550	404 012 6904	CERAMIC 0.047U Z 150V	1	R550	401 027 3003	CARBON 56K JA 1/6W	1
C551	404 012 6904	CERAMIC 0.047U Z 150V	1	R551	401 025 4606	CARBON 18K JA 1/6W	1
C552	404 012 6904	CERAMIC 0.047U Z 150V	1	R553	401 024 7400	CARBON 10K JA 1/6W	1
C553	404 012 6904	CERAMIC 0.047U Z 150V	1	R554	401 020 2904	CARBON 47K JA 1/4W	1
C554	404 012 6904	CERAMIC 0.047U Z 150V	1	R559	401 018 2800	CARBON 330 JA 1/4W	1
C555	404 012 6904	CERAMIC 0.047U Z 150V	1	R560	401 018 2800	CARBON 330 JA 1/4W	1
C556	404 012 6904	CERAMIC 0.047U Z 150V	1	R561	401 012 5708	CARBON 1K JA 1/4W	1
C559	404 012 7703	ELECT 8200U M 80V	1	R562	401 012 5708	CARBON 1K JA 1/4W	1
C560	404 012 7703	ELECT 8200U M 80V	1	R563	402 016 5305	FUSIBLE RES 390 J- 1/2W	1
C562	403 049 1609	ELECT 1U M 50V	1	R567	401 062 2405	OXIDE-MT 4.7K JB 1W	1
C563	4-2239-72120	Ceram 220PF 500V K	1	R569	401 024 7400	CARBON 10K JA 1/6W	1
C564	4-2239-72120	Ceram 220PF 500V K	1	R570	401 024 7400	CARBON 10K JA 1/6W	1
C565	403 075 8504	CERAMIC 120P K 500V	1	R571	401 027 0507	CARBON 470K JA 1/6W	1
C566	403 075 8504	CERAMIC 120P K 500V	1	R572	401 027 0507	CARBON 470K JA 1/6W	1
C567	403 067 5603	MT-COMPO 0.1U J 50V	1	R573	401 021 3009	CARBON 5.6K JA 1/4W	1
C568	403 067 5603	MT-COMPO 0.1U J 50V	1	R574	401 021 3009	CARBON 5.6K JA 1/4W	1
C570	403 086 4106	NP-ELECT 10U M 50V	1	R575	401 022 1905	CARBON 680 JA 1/4W	1
R501	401 024 7004	CARBON 1K JA 1/6W	1	R576	401 022 1905	CARBON 680 JA 1/4W	1
R502	401 024 7004	CARBON 1K JA 1/6W	1	R577	401 013 5301	CARBON 1.2K JA 1/4W	1
R503	401 024 7707	CARBON 100K JA 1/6W	1	R578	401 013 5301	CARBON 1.2K JA 1/4W	1
R504	401 024 7707	CARBON 100K JA 1/6W	1	R579	401 015 2704	CARBON 1.8K JA 1/4W	1
R505	401 027 2600	CARBON 5.6K JA 1/6W	1	R580	401 015 2704	CARBON 1.8K JA 1/4W	1
R506	401 027 2600	CARBON 5.6K JA 1/6W	1	R583	401 068 3604	OXIDE-MT 470 JB 2W	1
R507	401 027 5908	CARBON 68K JA 1/6W	1	R587	401 099 2706	OXIDE-MT 1.8K JB 1W	1
R508	401 027 5908	CARBON 68K JA 1/6W	1	R588	401 099 2706	OXIDE-MT 1.8K JB 1W	1

P.C.BOARD PARTS LIST(Continued)

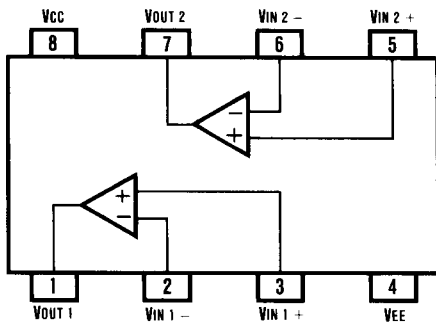
Ref. No.	Part No.	Description	Q'ty	Ref. No.	Part No.	Description	Q'ty
POWER SW. P.C.B. ASSY				BIAS P.C.B. ASSY			
53	141-0-1939-23421	Power SW. P.C.B. Assy	1	55	141-0-1939-20450	Bias P.C.B. Assy	2
	4-2352-00970	Headphone Jack 3P (HEADPHONES)	1	D601	407 008 0405	DIODE GMB01-BT	1
	4-2372-00830	EC Terminal 1P	2	Q601	405 026 0803	TR 2SD947	1
	111-2-6220-11100	Wire Wrap Terminal	2				
	131-2-6114-00200	Cover Safety	1				
W701	4-2439-73063	Wire 6 Parallel	1	LAMP P.C.B. ASSY			
S701	△ 4-2312-05710	SW Push Power (POWER)	1	56	141-0-1939-23290	Lamp P.C.B. Assy	1
S702	4-2319-77341	SW Push 1key (SPEAKER A)	1		111-2-6220-11100	Wire Wrap Terminal	4
S703	4-2319-77341	SW Push 1key (SPEAKER B)	1				
C701	△ 4-2239-70970	Capacitor 0.01MF 400V	1	TRANSISTOR (+) P.C.B. ASSY			
R701	401 069 3009	OXIDE-MT 680 JA 2W	1	58	141-0-1939-23560	Transistor (+B) P.C.B. Assy	1
R702	401 069 3009	OXIDE-MT 680 JA 2W	1	Q525	405 022 1101	TR 2SD1266-P	1
R703	401 017 0807	CARBON 270 JA 1/4W	1				
R704	401 017 0807	CARBON 270 JA 1/4W	1				
R705	401 017 0807	CARBON 270 JA 1/4W	1				
R706	401 017 0807	CARBON 270 JA 1/4W	1				
SPEAKER TERMINAL P.C.B. ASSY				NOTES:			
54	141-0-1939-23430	Speaker Terminal P.C.B. Assy	1	1. Parts order must contain Model Number, Part Number and Description.			
	4-2372-01160	SP 8P Terminal (SPEAKERS)	1	2. Ordering quantity of screws and resistors must be multiple of 10 pcs.			
W702	4-2439-73065	Wire 2 Parallel	1				
C703	403 069 1504	CERAMIC 1000P K 50V	1				
C704	403 069 1504	CERAMIC 1000P K 50V	1				
C705	403 069 1504	CERAMIC 1000P K 50V	1				
C706	403 069 1504	CERAMIC 1000P K 50V	1				

FUNCTIONAL BLOCK DIAGRAM

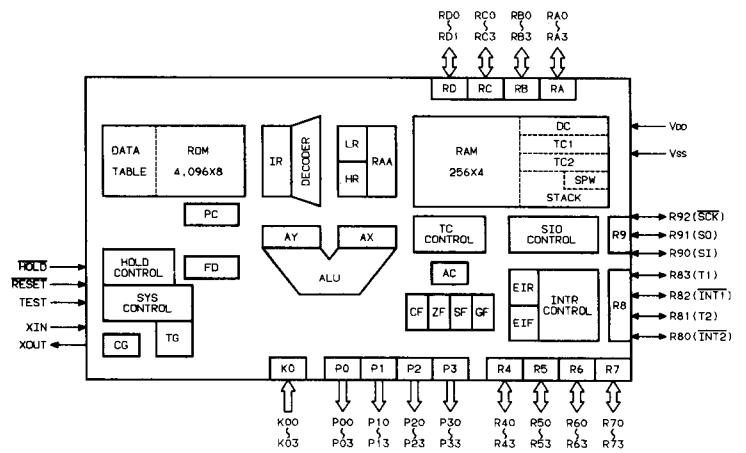


INTEGRATED CIRCUIT BLOCK DIAGRAM

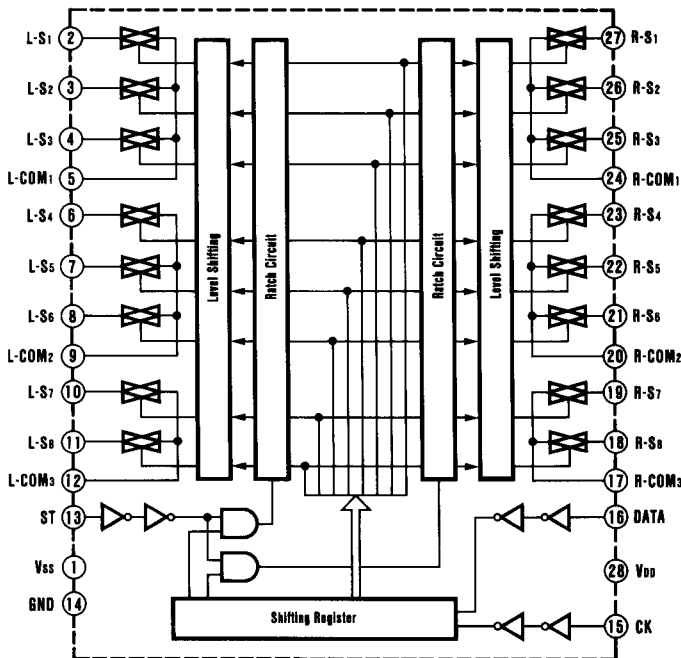
PHONO EQ. / TONE CONTROL AMP IC NJM 2068 DD



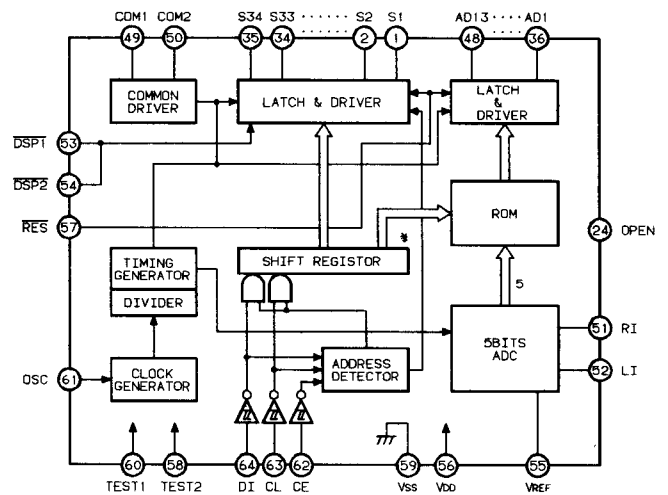
CONTROL IC TMP 47C460AN-2



FUNCTION ANALOG SWITCH IC TC 9163 N

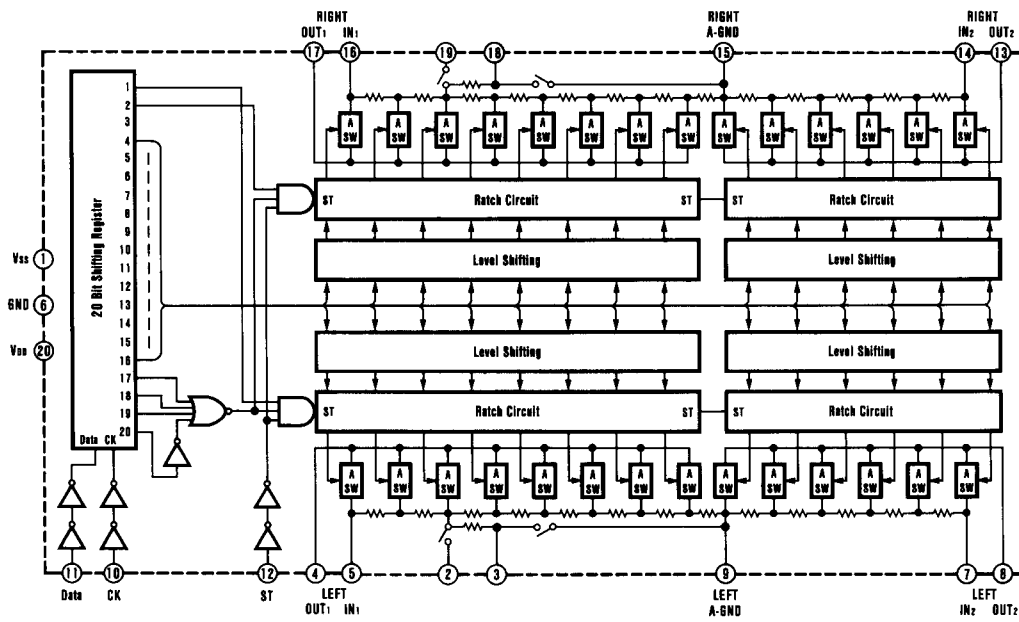


LCD DISPLAY DRIVER AMP IC LC 7583 B

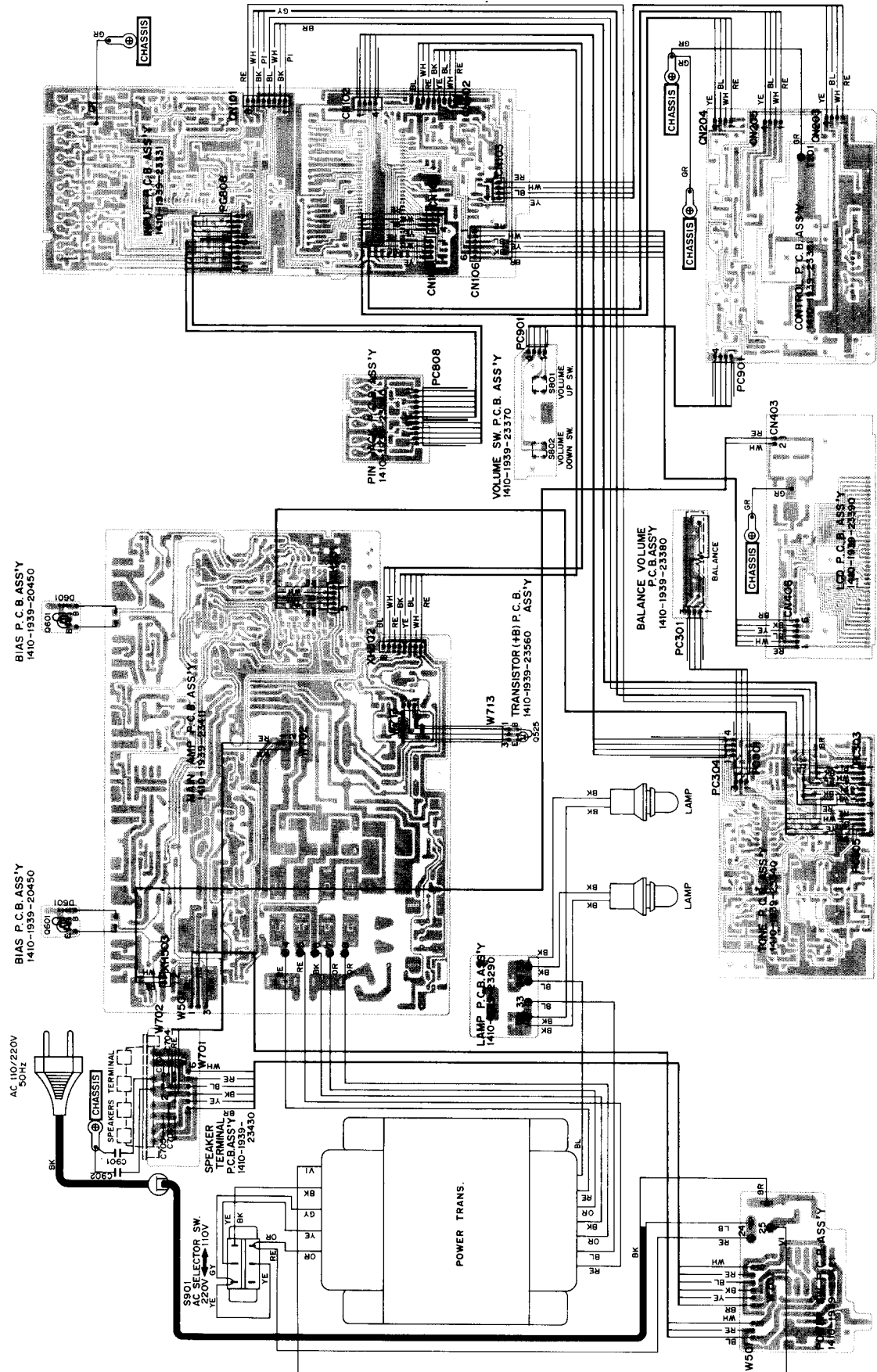


INTEGRATED CIRCUIT BLOCK DIAGRAM(Continued)

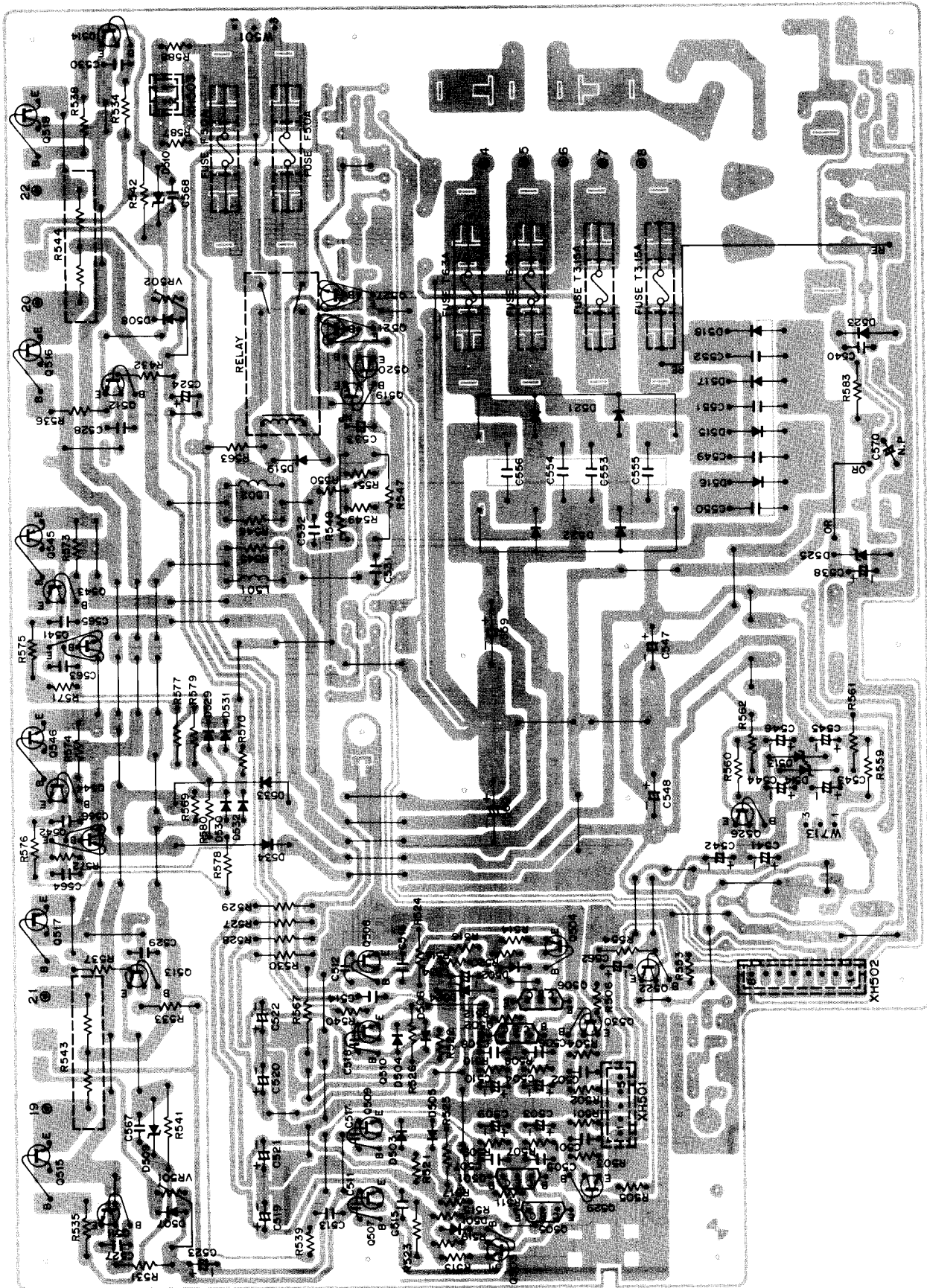
ELECTRONIC VOLUME (with Loudness) IC TC 9177P



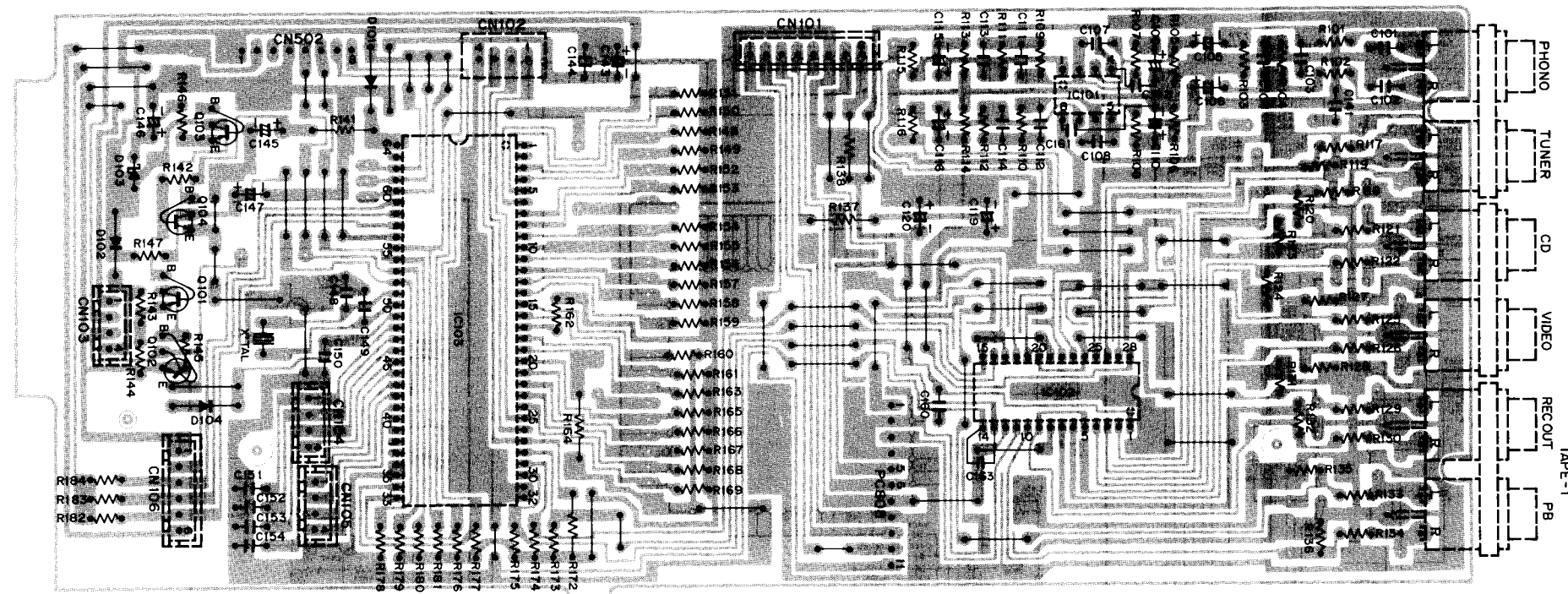
POINT TO POINT WIRING DIAGRAM



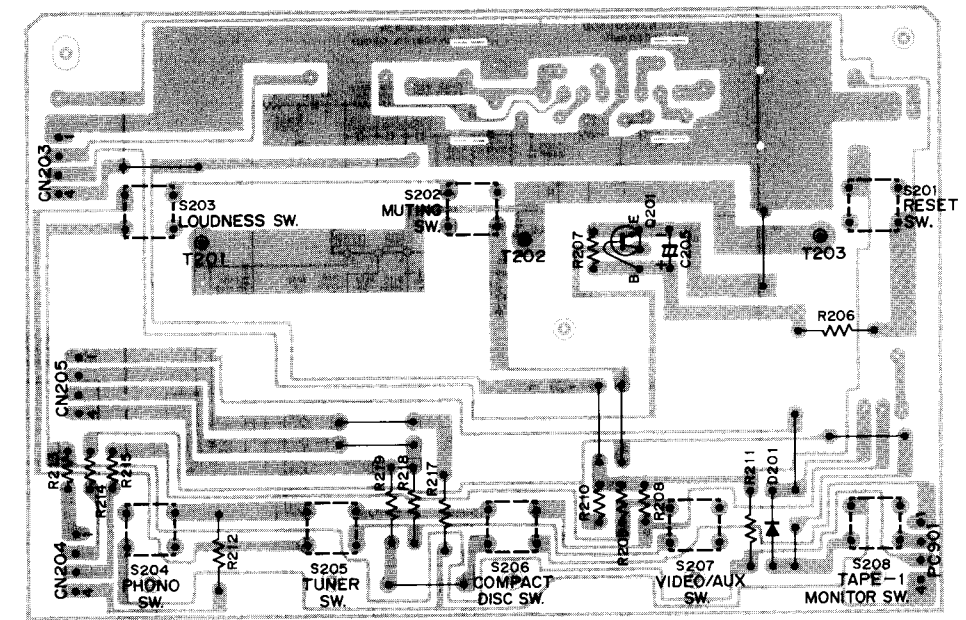
MAIN AMPLIFIER PRINTED CIRCUIT BOARD (BOTTOM VIEW)



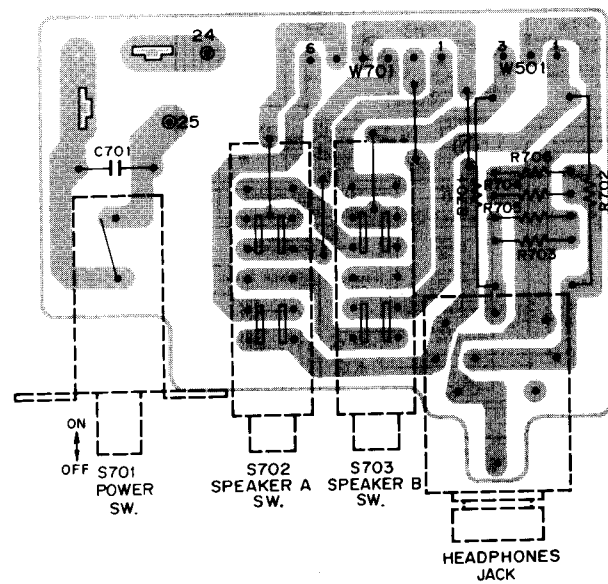
**INPUT PRINTED CIRCUIT BOARD
(BOTTOM VIEW)**



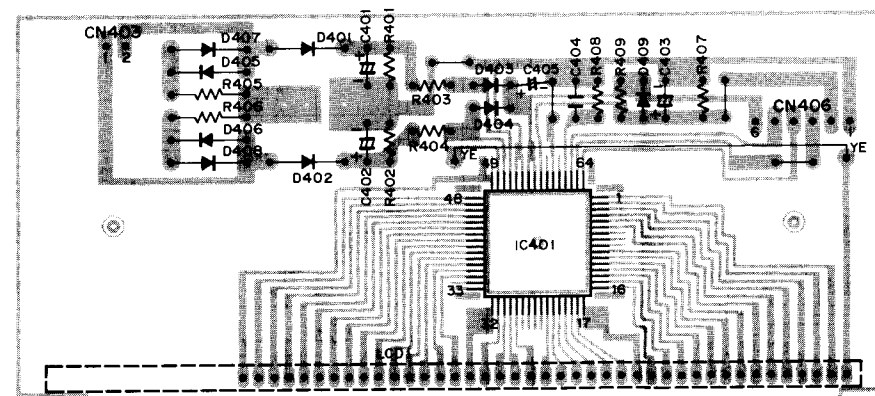
**CONTROL P.C. BOARD
(BOTTOM VIEW)**



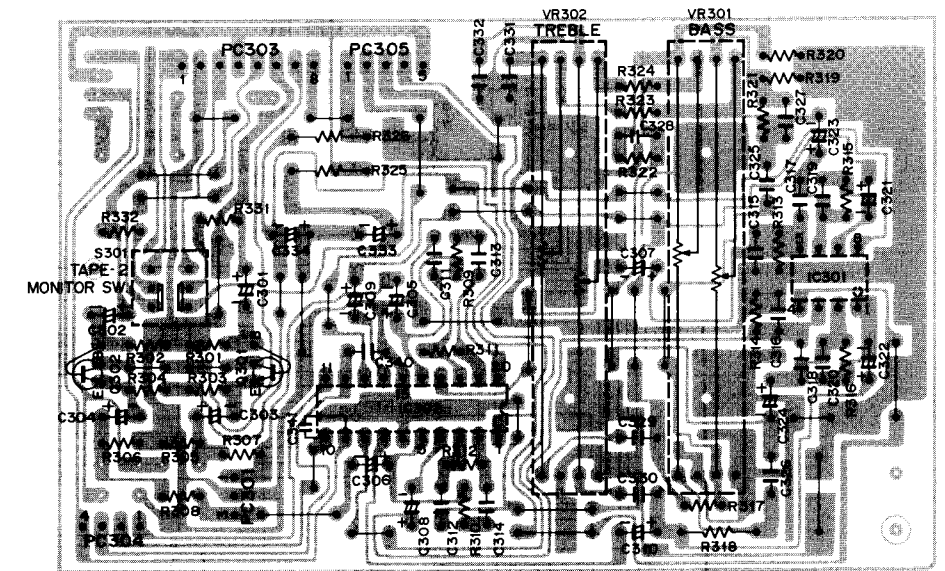
**POWER SWITCH P.C. BOARD
(BOTTOM VIEW)**



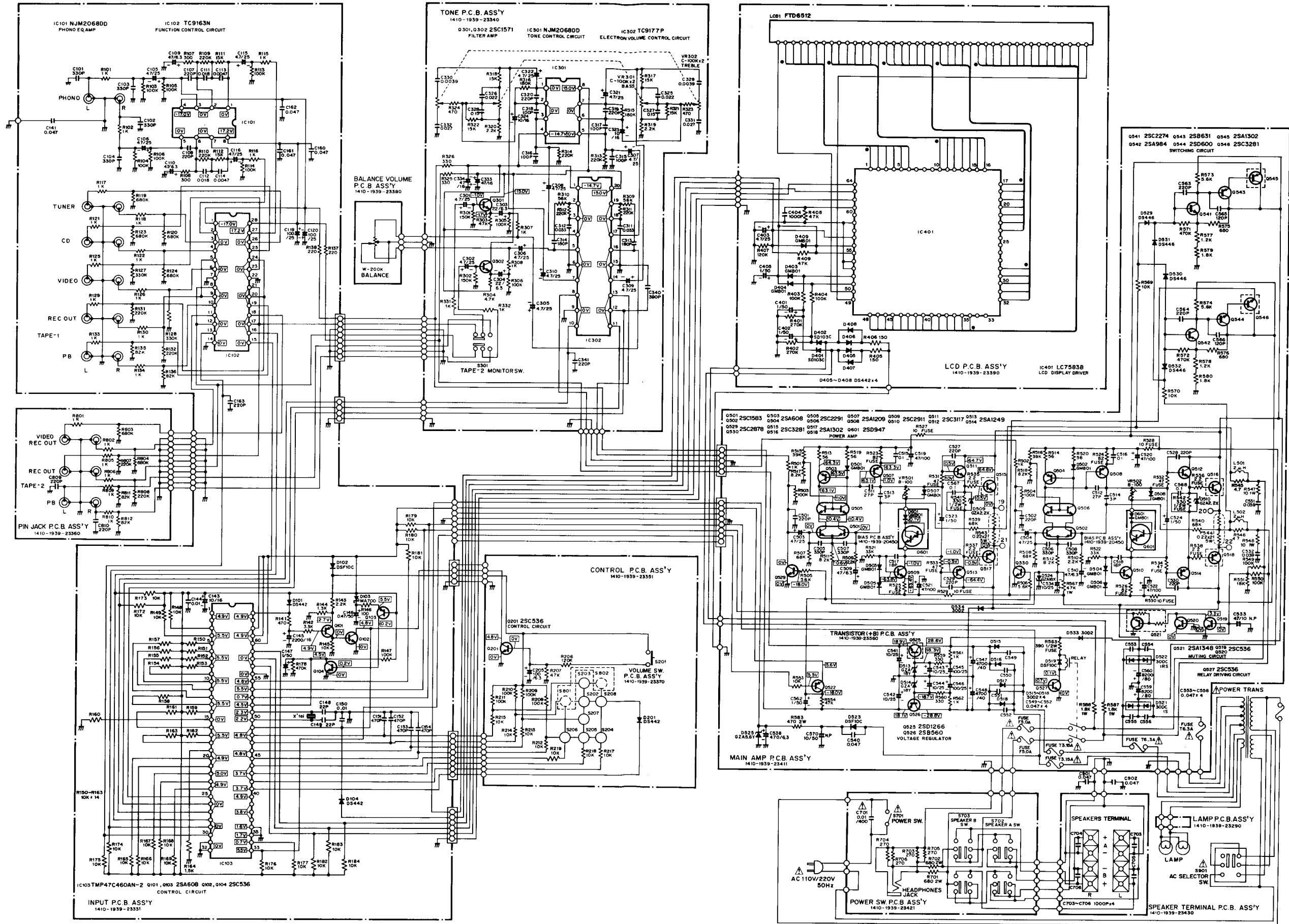
**LCD P.C. BOARD
(BOTTOM VIEW)**



**TONE P.C. BOARD
(BOTTOM VIEW)**



SCHEMATIC DIAGRAM



SEMICONDUCTOR LEAD IDENTIFICATION

TRANSISTOR	FRONT VIEW	BOTTOM VIEW	TRANSISTOR	FRONT VIEW	BOTTOM VIEW
2SA 608 2SA 984 2SB 560 2SC 536 2SC 1571 2SC 2274 2SC 2878			2SA 1302 2SC 3281		
2SD 1266			2SC 2291		
2SA 1209 2SA 1249 2SB 631 2SC 2911 2SC 3117 2SD 600 2SD 947			2SA 1348		
2SC 1583			TERMINAL NAME		
			B → BASE C → COLLECTOR E → EMITTER		

SWITCH POSITION TABLE

No.	Name	Position	No.	Name	Position
S201	RESET Switch	OFF	S301	TAPE-2 MONITOR Switch	OFF
S202	MUTING Switch	OFF	S701	POWER Switch	OFF
S203	LOUDNESS Switch	OFF	S702	SPEAKER A Switch	OFF
S204	PHONO Switch	OFF	S703	SPEAKER B Switch	OFF
S205	TUNER Switch	OFF	S801	VOLUME UP Switch	OFF
S206	COMPACT DISC Switch	OFF	S802	VOLUME DOWN Switch	OFF
S207	VIDEO/AUX Switch	OFF	S901	AC SELECTOR Switch	220V
S208	TAPE-1 MONITOR Switch	OFF			

NOTES:

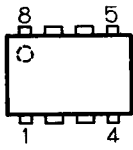
1. All resistors values are indicated in "ohm" (K=10³, M=10⁶).
2. All capacitors values are indicated in "μF" (P=10⁻¹²).
3. All voltages indicated on the schematics are measured under the following conditions.
 - a. Use a V.T.V.M.

- b. All voltages ±10 % with respect to chassis ground
- c. No signals at input terminals
- d. AC input at 220 volts 50 Hz
4. This is a basic schematic diagram.

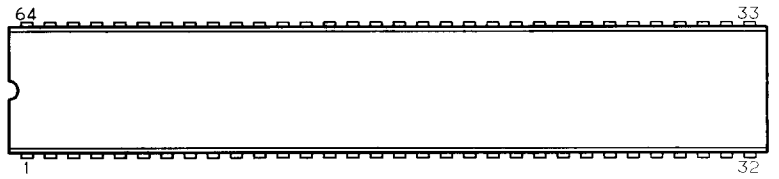
Because Fisher products are subject to continuous improvement, Fisher Corporation reserves the right to make any changes or modifications without notice.

SEMICONDUCTOR LEAD IDENTIFICATION (Continued)

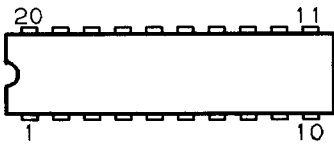
NJM 2068 DD TOP VIEW



TMP 47C460AN-2 TOP VIEW



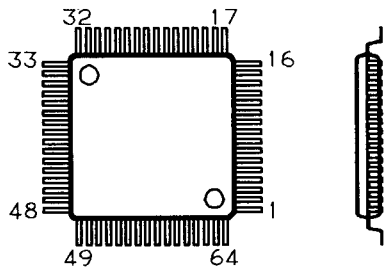
TC 9177 P TOP VIEW



TC 9163 N TOP VIEW



LC 7583 B TOP/SIDE VIEWS



FISHER Hi-Fi Europa Vertriebs GmbH

Stahlgruberring 4
8000 München 82

Tel: 089/420 45-0
Tlx: 524033

April/'87/2,000/K Printed in Japan